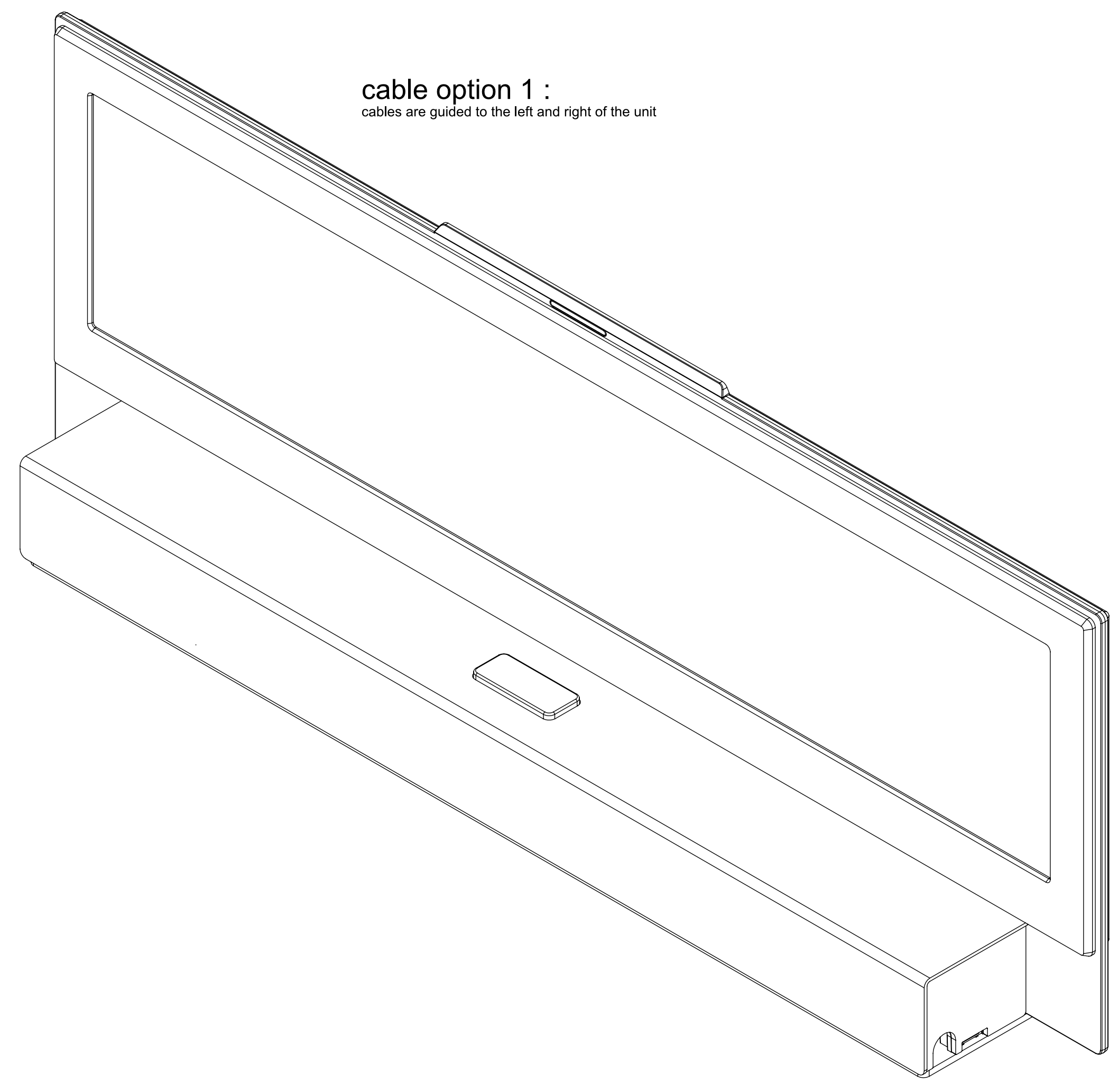
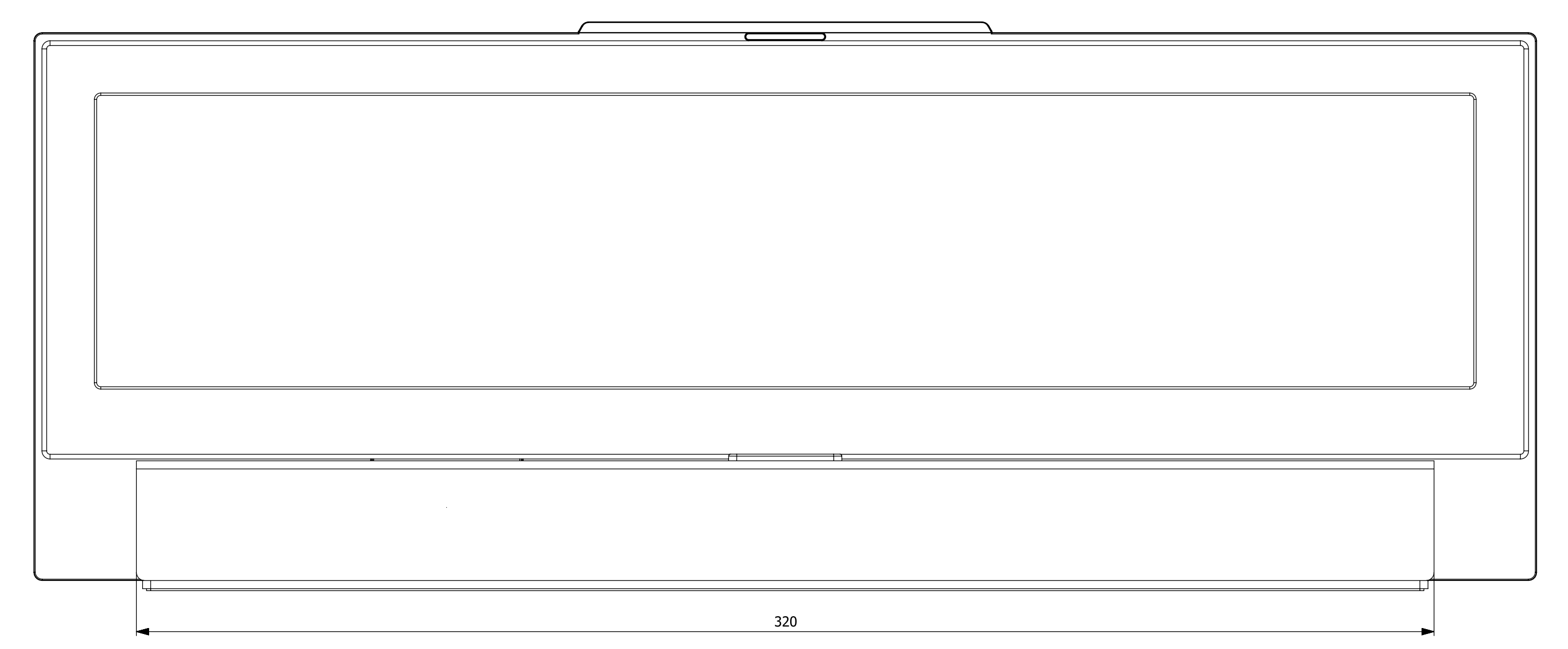
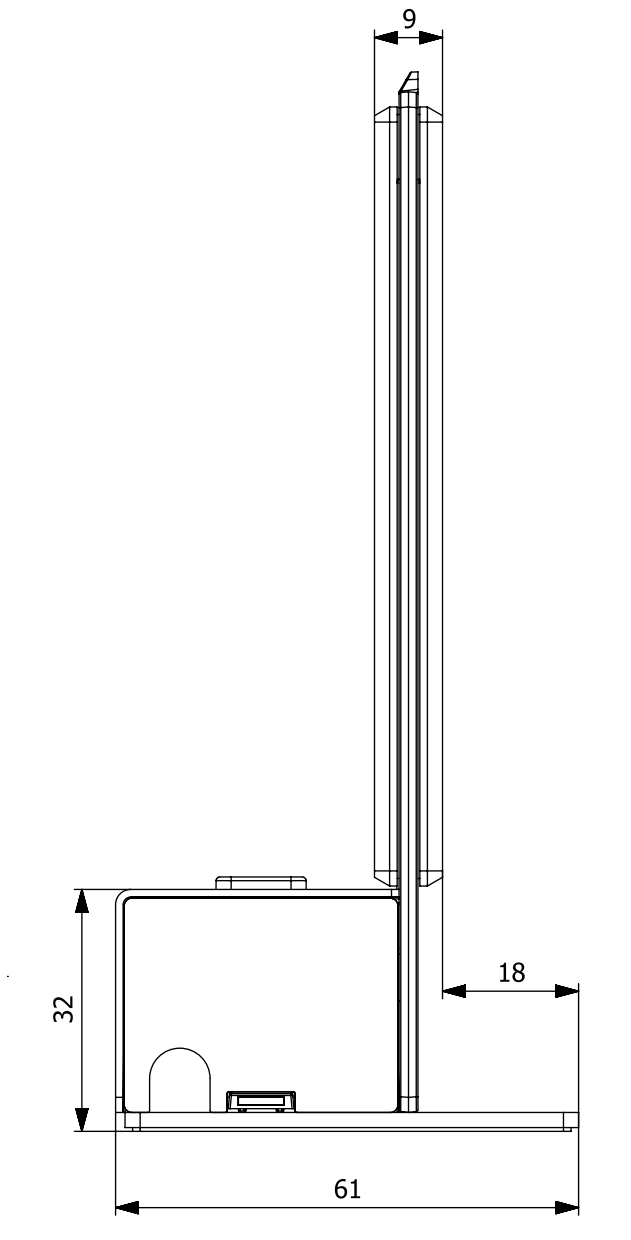
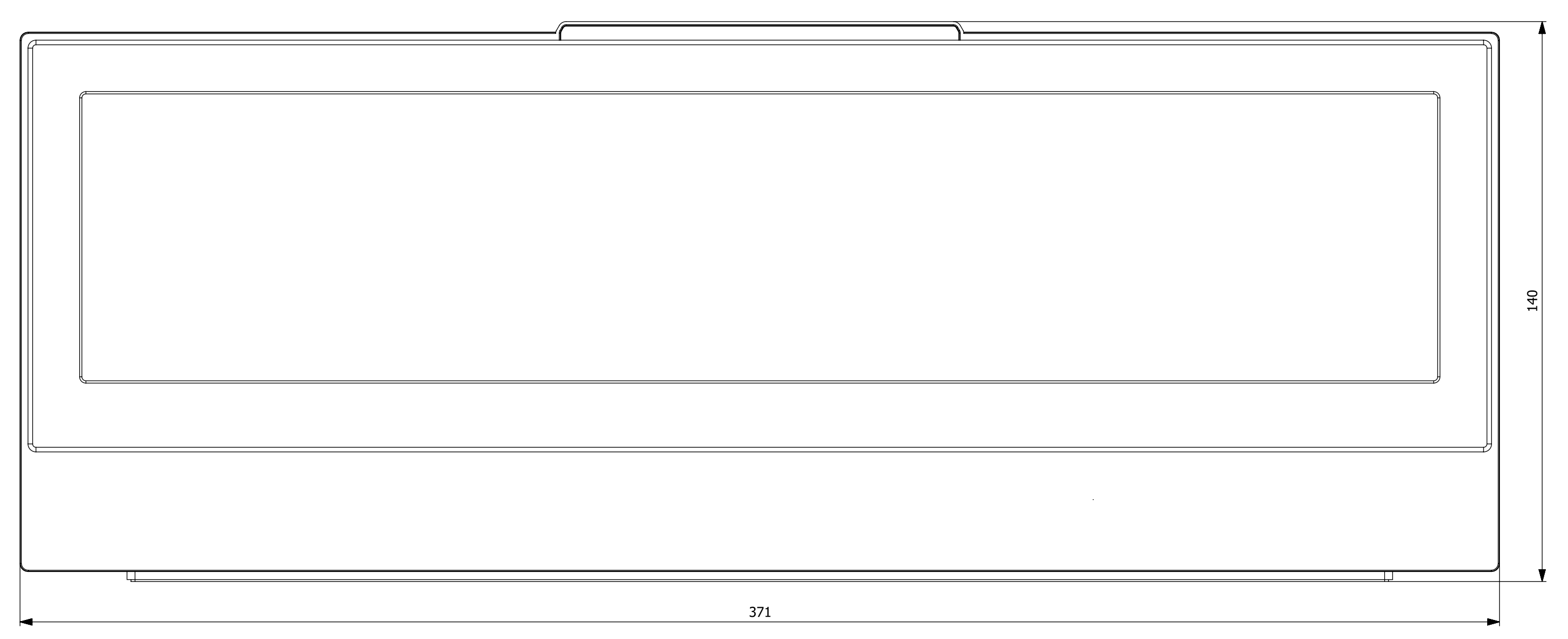
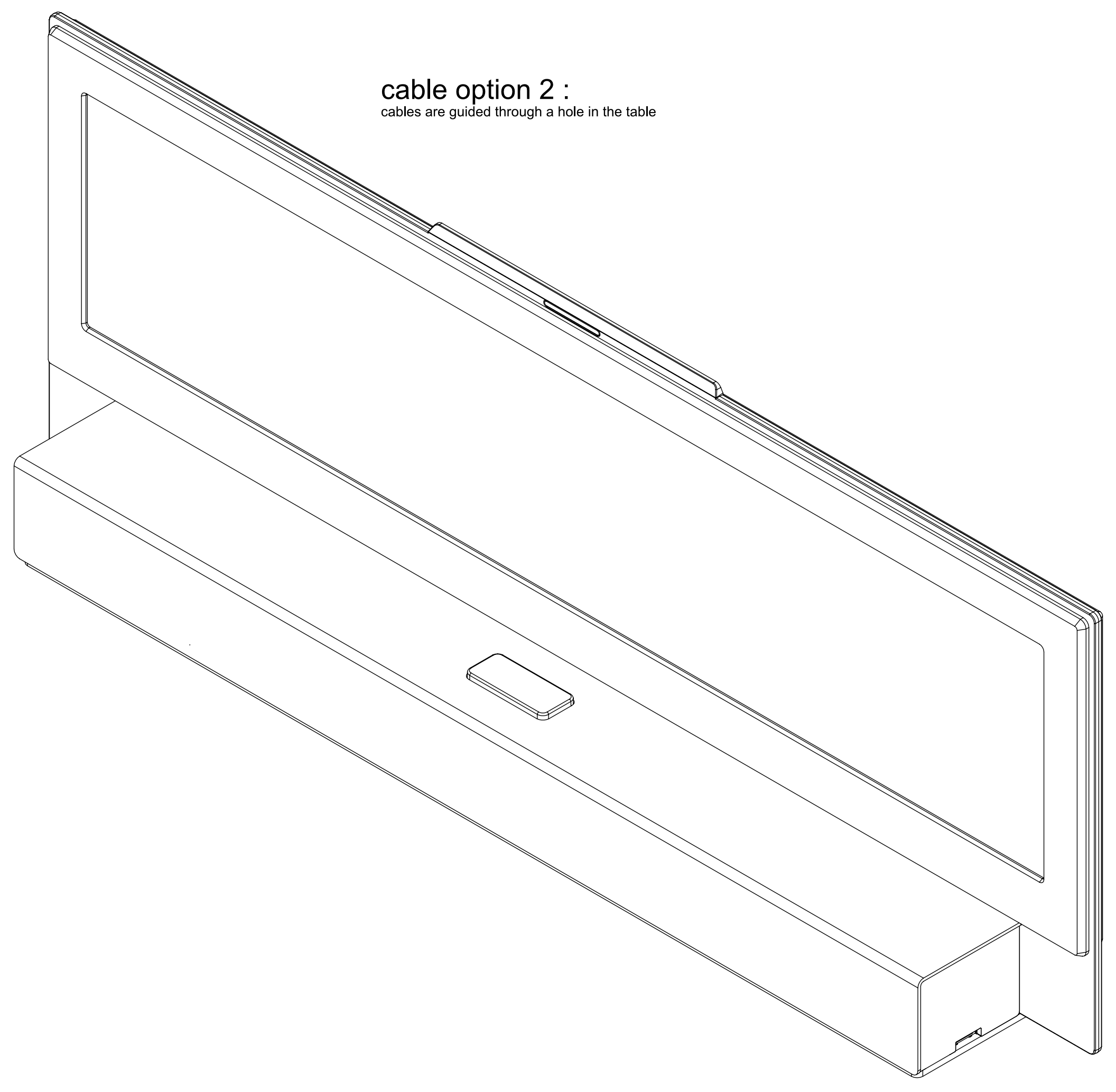


Remarks

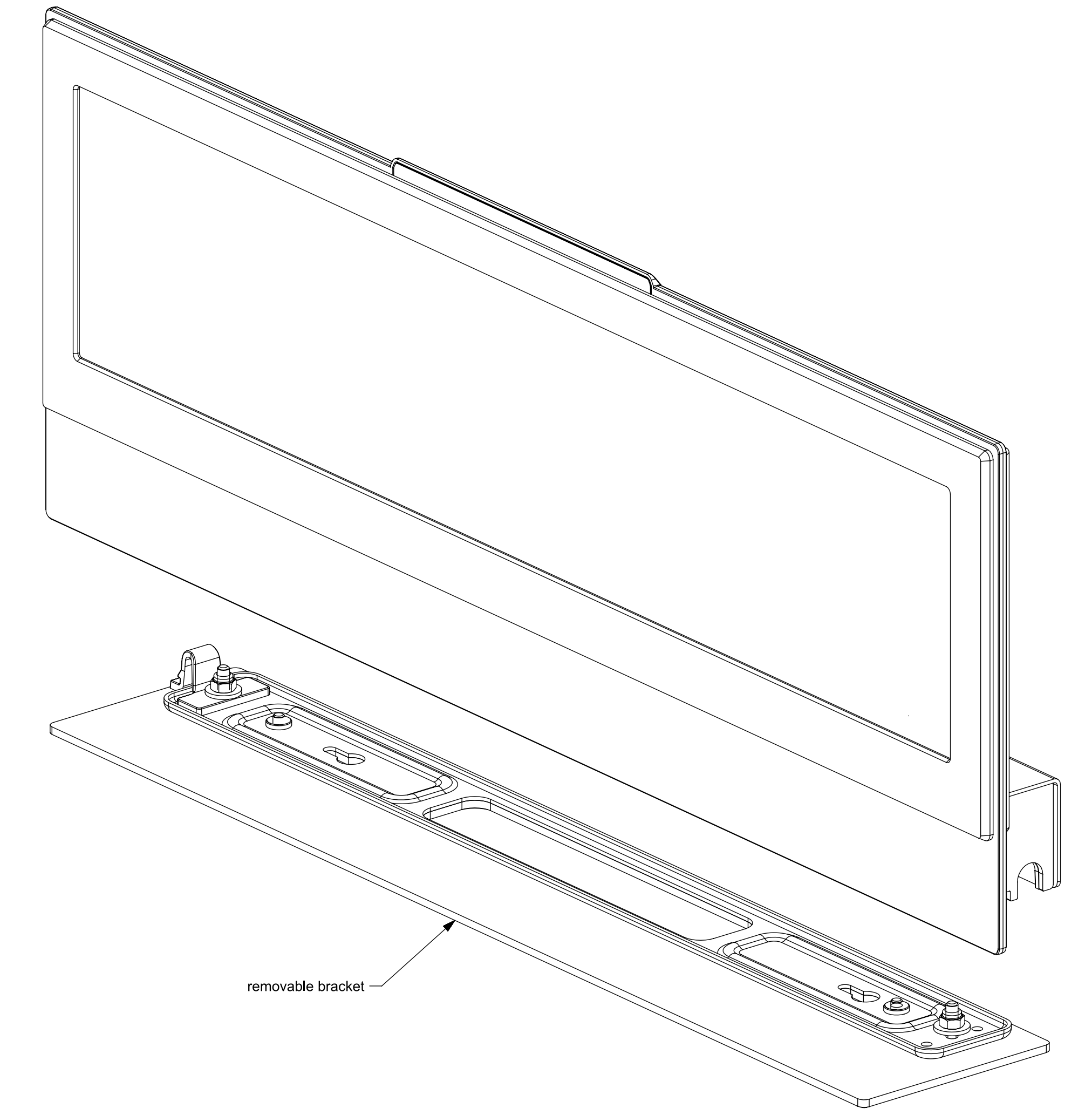
- * material :
 - chassis : steel 1-2 mm and PC/ABS
 - bezel : aluminium 3mm
- * finishing :
 - chassis : wetpainting Pantone 6401C
 - bezel : black anodised, grinding grain size 180
- * screening : Pantone 421C



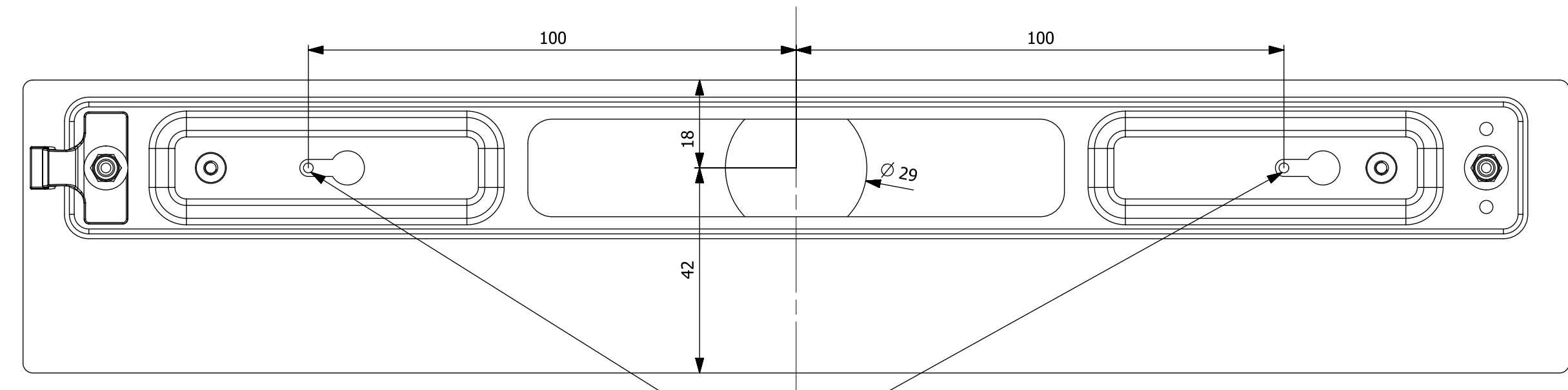
cable option 1 :
cables are guided to the left and right of the unit



cable option 2 :
cables are guided through a hole in the table



removable bracket



countersunk flat head tapping screw TORX ISO 14586C (2x)
ST2.9x16mm
drill hole Ø2mm

ELECTRONIC NAMEPLATE - DOUBLE SIDED		Sheet 1 of 1	
Drawn by	BY 06/20/2011	Scale	1:1
Approved by	06/20/2011	Format	A0
71.98.2051_M07_2D_0.03		Drawing number	